



## Handling System for Hood type Pre-wash Table with Bowl Left to Right, 1200mm

ITEM # \_\_\_\_\_

MODEL # \_\_\_\_\_

NAME # \_\_\_\_\_

SIS # \_\_\_\_\_

AIA # \_\_\_\_\_



865309 (BHHPTB12L)

Prewash table with  
500x400mm bowl for Hood  
Type, l>r, 1200mm

### Short Form Specification

Item No. \_\_\_\_\_

For hood type dishwashers. Constructed in 304 AISI stainless steel with backsplash mm250h. N. 2 square 40x40mm tubular legs on height-adjustable feet. Bowl size mm500x400x250h with overflow pipe and drain hole. Basket direction: from left to right.

### Main Features

- Supplied knocked-down and easy to assemble.
- Designed for 500x500 mm dishwashing racks.
- Plain undershelves and pre-rinse units available as optional accessories.

### Construction

- Stainless steel feet 50 mm adjustable in height to ensure that tables drain back into the dishwasher.
- 700x500x300mm bowl available upon request.
- Included splashback to prevent water spatter.
- Deep anti-drip profiles completely folded with lower edge for safe and easy cleaning.
- All surfaces smooth with polished finish.
- 40x40 mm square tubular legs in AISI 304 stainless steel.
- 304 AISI stainless steel construction throughout.
- To be secured to the dishwasher and fitted with one pair of legs at the other end.

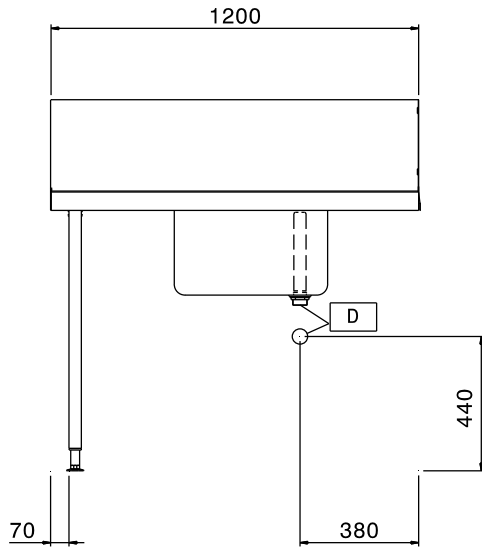
### Optional Accessories

- Undershef for Dishwasher table, 1200 mm PNC 865352
- Floor fastening kit for 2 square legs PNC 865386
- Single plastic drain syphon 2 " for Sinks PNC 895313

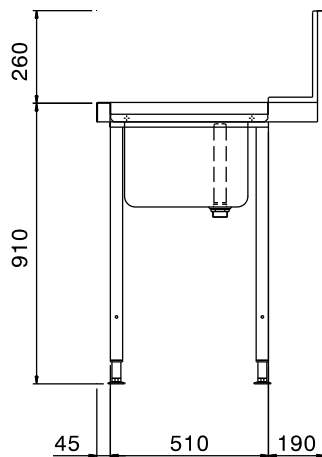
APPROVAL: \_\_\_\_\_



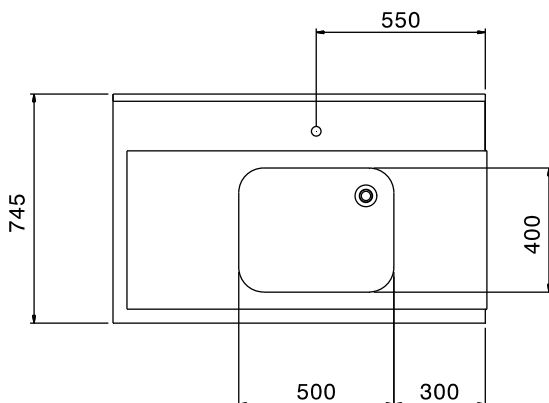
Front



Side



Top


**Key Information:**

<b>External dimensions, Width:</b>	
865309 (BHHPTB12L)	1200 mm
<b>External dimensions, Depth:</b>	745 mm
<b>External dimensions, Height:</b>	1170 mm
<b>Net weight:</b>	8 kg
<b>Splashback Dimensions, Height:</b>	300 mm
<b>Basin dimensions:</b>	500x400x300h